

SA1100 GNSS Antenna

GNSS Antenna
for Reference Station



SA1100 TECHNICAL FEATURES

MINI CHOKE RING ANTENNA

SA1100 is a Mini Choke Ring Antenna capable of tracking all satellite constellations, GPS, GLONASS, GALILEO, BEIDOU, QZSS, IRNSS, SBAS as well as L-Band correction service, and is multi-frequency. This antenna has a high anti-interference function, making it perfect for operations in harsh environments. In addition, SA1100 have high gain even with low elevation signals tracking.

COMPACT AND RUGGED

The SA1100 is a compact and lightweight antenna designed to protect the interior from dust and water (IP67). This antenna has excellent performance in a small size, with a diameter of only 185 mm and a low weight of 1.9 kg. This allows easy installation compared to standard Choke Ring antennas, which are larger and heavier.

HIGH PHASE CENTER STABILITY

The SA1100 antenna adopts a unique ring structure that offers outstanding multipath suppression performance for satellite signal tracking. The stability of this antenna reaches submillimeter values, ideal for monitoring and permanent GNSS networks.

PERFORMANCE

Satellite Signal Tracked	GPS: L1, L2, L5
	GLONASS: L1, L2, L3
	BEIDOU: B1, B2, B3
	GALILEO: E1, E5a, AltBOC, E5b, E6
	QZSS: L1, L2, L5, L6
	IRNSS: L5
Type	SBAS: L1, L5
	L-BAND
Type	Mini Choke Ring Antenna
Phase Center Stability	± 1mm
Nominal Impedance	50Ω
Polarization	RHCP
Axial Ratio	≤3dB
Peak Gain	6.5dBi
LNA Gain	50dB
Noise Figure	≤2dB
Output VSWR	≤2.0
Operation Voltage	+3.3V to +12V DC
Operation Current	≤60mA
Differential Propagation Delay	≤5ns

MECHANICAL

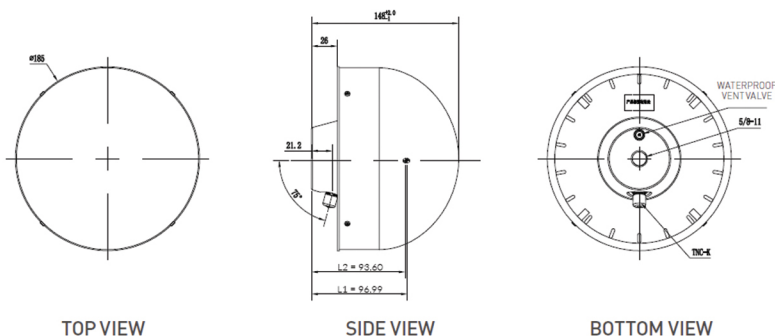
Dimensions	Ø185mm x 148mm
Connector	TNC female
Mounting	5/8" x 11 screws
Weight	1.9kg

ENVIRONMENTAL

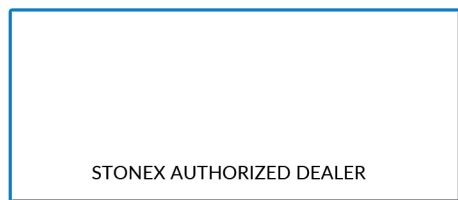
Operating Temperature	-40°C to 85°C (-40°F to 185°F)
Storage Temperature	-55°C to 85°C (-67°F to 185°F)
Humidity	95% non-condensing
Waterproof/Dustproof	IP67

CALIBRATION

NGS	Yes
IGS	Yes



Illustrations, descriptions and technical specifications are not binding and may change



STONEX®

Viale dell'Industria 53 - 20037 Paderno Dugnano (MI) - Italy
Phone +39 02 78619201
www.stonex.it | info@stonex.it