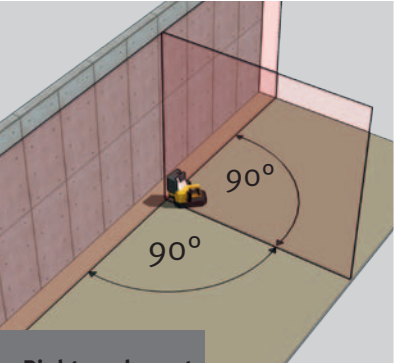


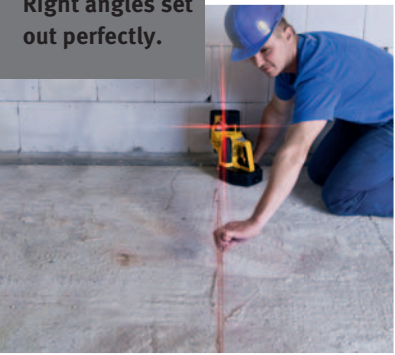
**STABILA®**



...sets standards



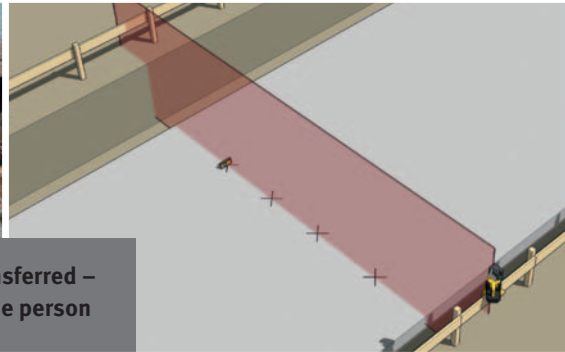
Right angles set out perfectly.



**STABILA LA 90 L and LA 180 L**



Lines transferred –  
by just one person



**2 Layout Stations:  
More Accuracy. More Speed.**

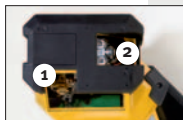
**ACCURATE. TOUGH. RELIABLE. EASY-TO-USE.**



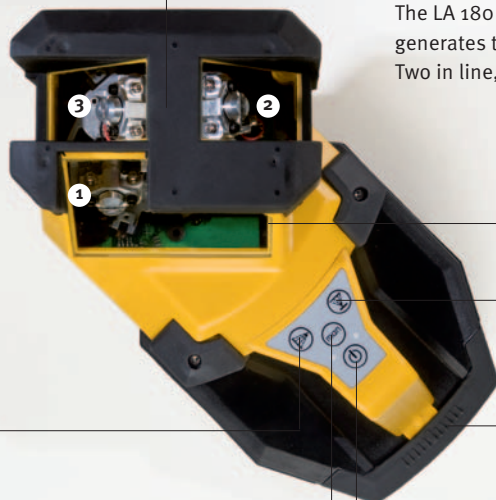
# STABILA Layout Stations:

STABILA's 2 new self-leveling, multi-line lasers make layout faster and more accurate than ever before. Sharp and bright laser lines indoors (60 ft.). Outdoors – the LA 180 L combined with the new REC 410 Line RF line receiver measures up to 300 ft.

## German Engineering



The LA 90 L multi-line laser generates two vertical laser lines perpendicular to each other.



The LA 180 L multi-line laser generates three vertical laser lines. Two in line, one perpendicular.

Exit window for horizontal laser line

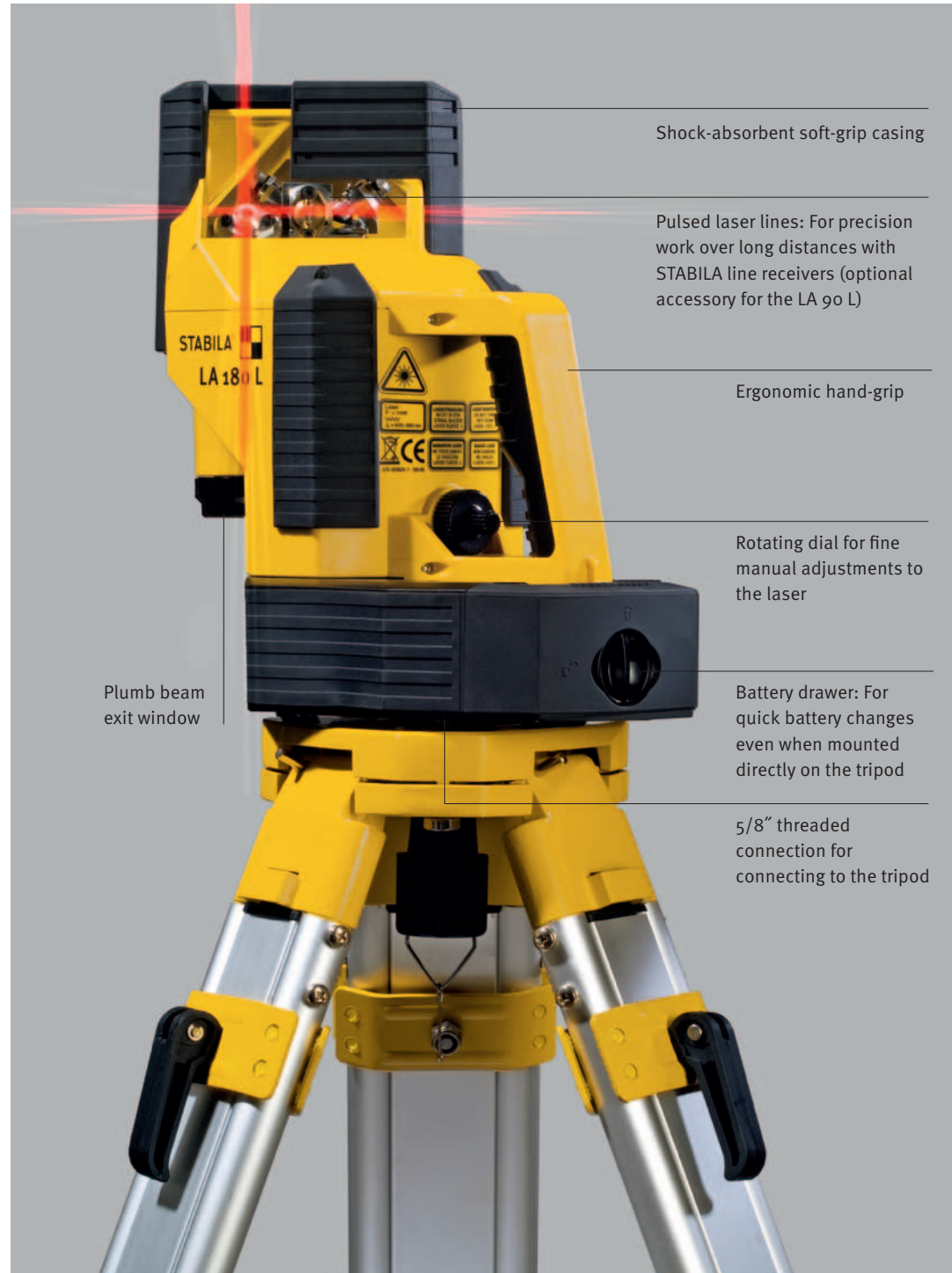
Horizontal line on / off

The housing pivots for approximate alignment by hand

Vertical lines on / off

Automatic leveling on / off – manual mode

On / off



Shock-absorbent soft-grip casing

Pulsed laser lines: For precision work over long distances with STABILA line receivers (optional accessory for the LA 90 L)

Ergonomic hand-grip

Rotating dial for fine manual adjustments to the laser

Plumb beam exit window

Battery drawer: For quick battery changes even when mounted directly on the tripod

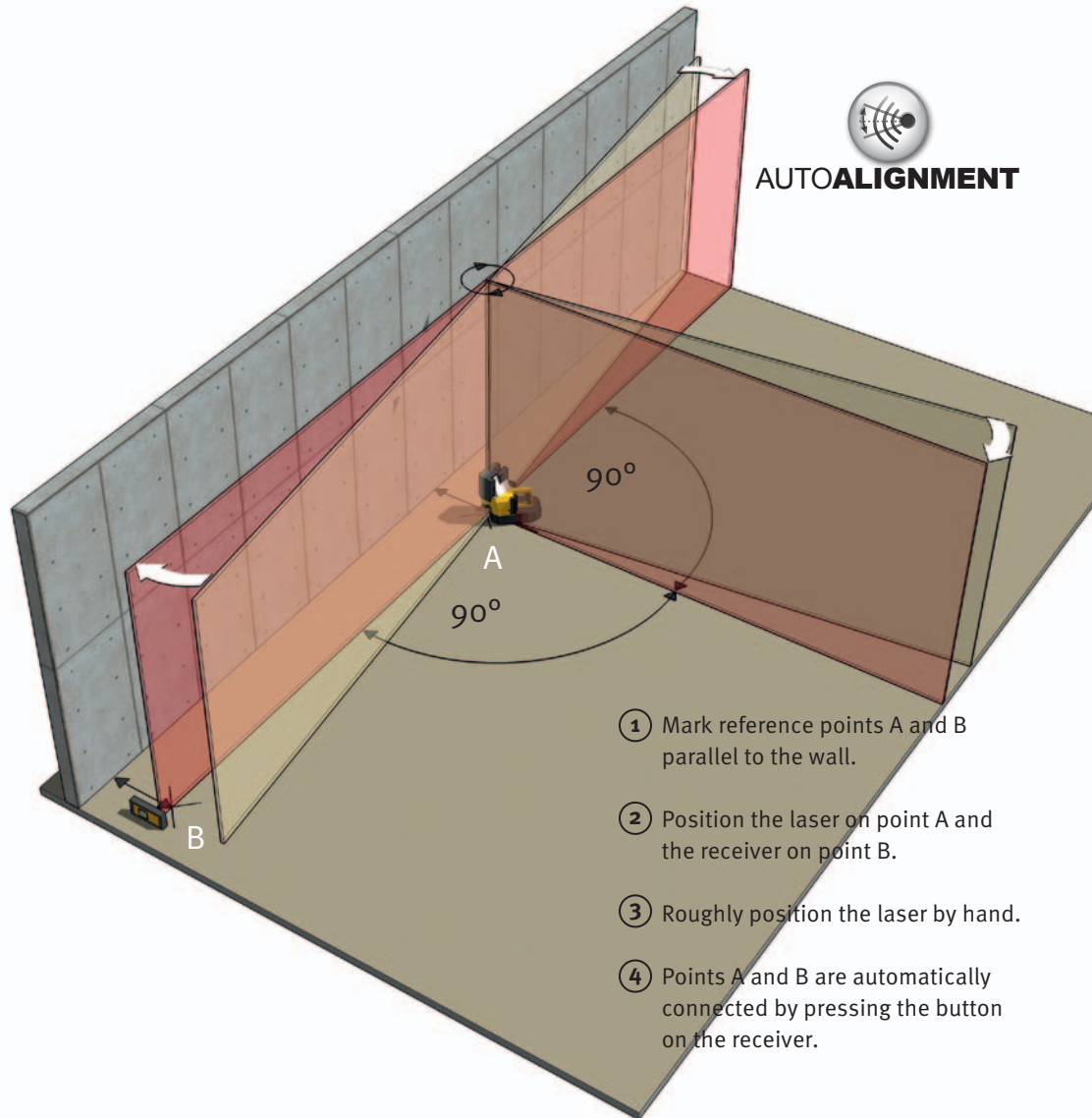
5/8" threaded connection for connecting to the tripod



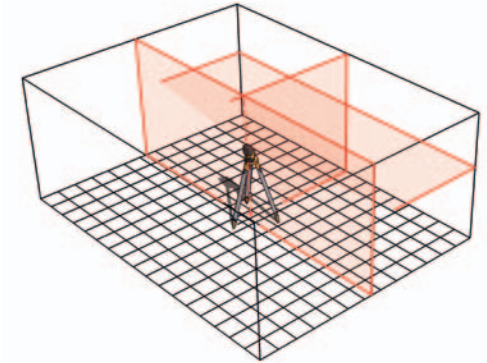
**LA 180 L: Layout right angles automatically – with the motor-powered fine adjustment in combination with the REC 410 Line RF receiver. Faster, more accurate, simpler.**



**AUTOALIGNMENT**



**For all indoor layout work and height transfers:  
Increased productivity for dry-wallers, metalworkers  
and installation work.**



LA 180 L: 3 vertical lines, 1 horizontal line and plumb function.

**The REC 410  
Line RF receiver  
uses wireless  
technology  
to control the  
LA 180 L laser.  
One press  
of a button.  
The laser  
adjusts itself  
automatically.**



**With the REC 410 Line RF Receiver you can measure outdoors quickly and accurately. Range up to 300 ft.**



► The shape of the housing allows the laser to be easily positioned in corners. The right angle rotates over the reference point.

STABILA®



...sets standards

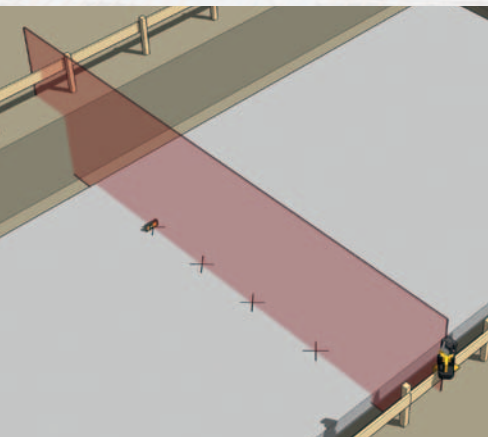
The LA 180 L multi-line laser



The **bracket** fastens quickly and securely.

With a touch of a button the vertical laser line is 100 % automatically aligned over distances of up to 150 ft. Marks can be transferred with the receiver.

**Only one man needed.** No back and forth.



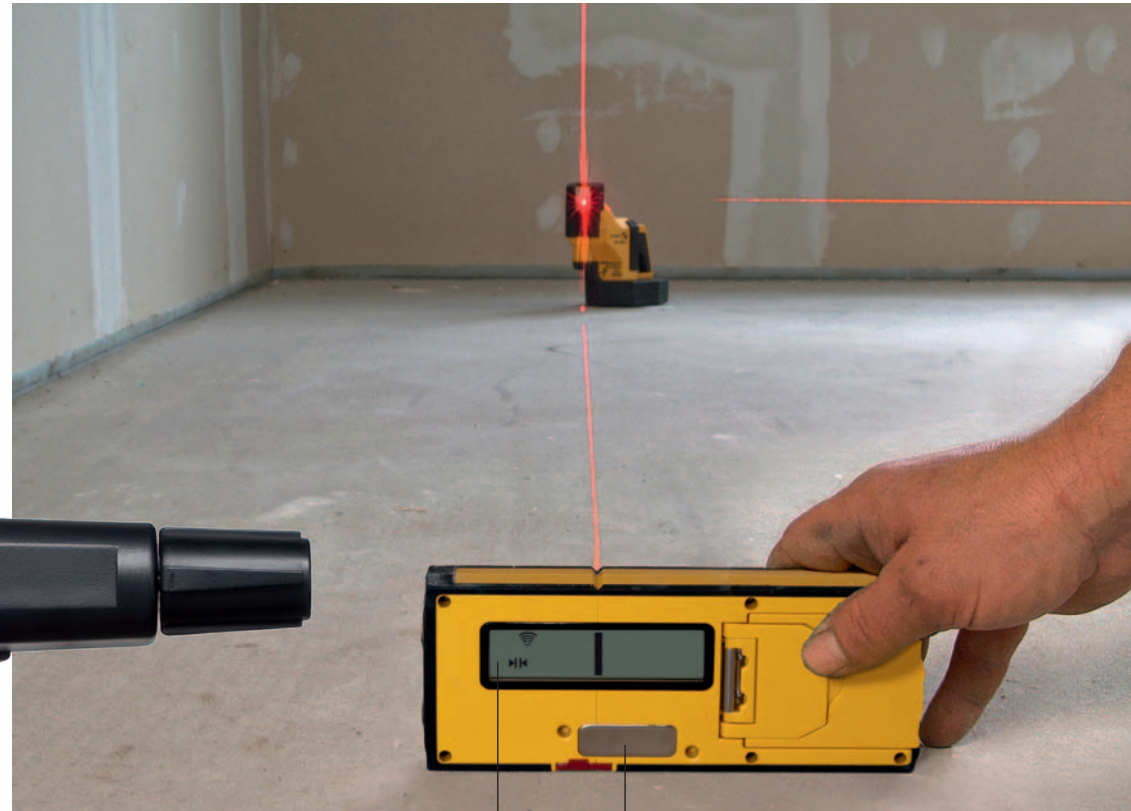
The STABILA LA 180 L outdoors.



### The REC 410 Line RF Receiver

The receiver picks up the pulsed laser lines and automatically controls the fine adjustment of the laser. Ultra-simple – at the touch of a button.

- ❶ Rough positioning Vials
- ❷ 3.5" high laser receiving window
- ❸ Reference notch
- ❹ Fold-out reference notch
- ❺ Optical LED target guidance (red, orange, green)
- ❻ Easy to read digital display
- ❼ Accuracy level selection
- ❽ On / Off
- ❾ Volume selection
- ❿ Positioning button left/right
- ⓫ Automatic fine adjustment
- ⓬ Shock-absorbent soft-grip casing
- ⓭ The magnetic bracket can be fastened onto the receiver in two positions. For vertical and horizontal operation.



Displays on the front and rear.

Strong magnetic connection point for the bracket.



Fold-out reference notch for precise positioning of the receiver.



Fold-out foot for positioning the receiver on the ground.

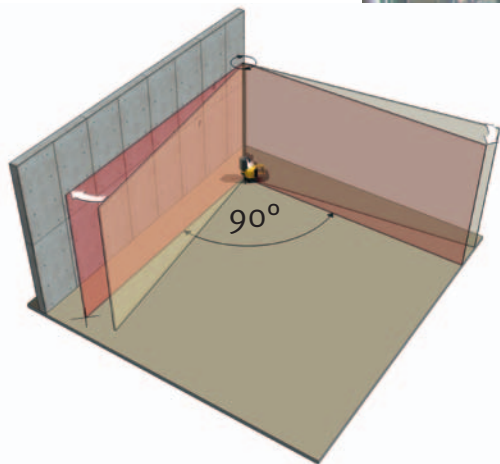


▲ Transfer of the layout from the floor to walls and ceilings.

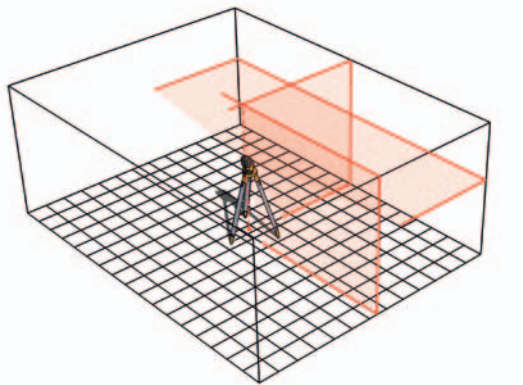
The LA 90 L: Motor-driven, self-leveling line laser. For rapid and safe work with visible laser lines. Range up to 60 ft.



MANUAL ALIGNMENT



◀ LA 90 L: The laser is manually positioned onto the mark with the fine adjustment dial on the housing. This controls the right angle.



LA 90 L: 2 vertical lines, 1 horizontal line and plumb function.

**Sharp, bright lines indoors.**



▲ Range of the visible laser lines up to 60 ft indoors.

◀ The **shape of the housing** allows the laser to be easily positioned against the wall or in corners.





## Layout Station LA 180 L



**The LA 180 L laser set:** Type LA 180 L multi-line laser, REC 410 Line RF receiver with bracket, laser goggles, 2 target plates, carrying case.

Laser class	Output	Laser wavelength	Self-leveling range horizontal	Leveling accuracy	Line straightness	Range of visible line indoors	Range with receiver**	Batteries included	Battery run-time	Cat. No.
2	<1 mW	635 nm	approx. ± 5°	± 3/32" over 100 ft.	± 1/8" over 100 ft.	Up to 60 ft.*	Up to 300 ft.	4 x D 1.5 V	approx. 20 h	02180

\* Indoors in typical working conditions. \*\* In a straight line the range is up to 210 ft. and 90 ft. at an angle of 45° to the instrument's axis.



## Layout Station LA 90 L



**The LA 90 L laser set:** Type LA 90 L multi-line laser, laser goggles, 2 target plates, carrying case.

Laser class	Output	Laser wavelength	Self-leveling range horizontal	Leveling accuracy	Line straightness	Range of visible line indoors	Batteries included	Battery run-time	Cat. No.
2	<1 mW	635 nm	approx. ± 5°	± 3/32" over 100 ft.	± 1/8" over 100 ft.	Up to 60 ft.*	4 x D 1.5 V	approx. 20 h	02090

\* Indoors in typical working conditions.

### LA 90 L: optional accessories



The REC 210 Line receiver (Cat. No. 07330).

### LA 90 L / LA 180 L: optional accessories



Re-chargeable battery unit: battery unit, power supply unit and adapter plugs for 4 countries (Cat. No. 07600).

**CAUTION**

**LASER RADIATION  
DO NOT STARE  
INTO BEAM**

630nm - 660nm / <1mW  
**CLASS II LASER PRODUCT**  
CFR 1040.10 AND 1040.11 CFR

Our technical hotline will support you on all questions relating to product selection and use.