

STABILA®



...sets standards



**NEW**

**Wide range of functions:**

- 360° horizontal line around the entire room
- 90° angle for accurate layout work
- Plumb line upwards and downwards

# LAX 400 multi-line laser

ACCURATE. TOUGH. RELIABLE. EASY-TO-USE.



## The LAX 400: help at hand

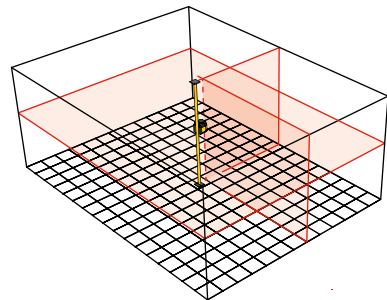
Accuracy is a prerequisite when it comes to achieving a successful outcome for any job. The LAX 400 is here to help you with this. Whether you are a drywall builder, tiler, electrician, plumber or carpenter, the multi-line laser can handle an extremely wide range of measuring tasks and helps you work more accurately and more productively – allowing you to get more done in less time. The wide range of functions that the LAX 400 has to offer includes a full 360° horizontal line, a 90° angle for precise layout work and a plumb line upwards and downwards. The narrow, clearly visible lines have a measuring distance of 60 ft (20 m). The LAX 400 enables just one person to carry out a whole host of tasks quickly and, most importantly, without costly measurement errors, meaning that an investment in the LAX 400 pays off in no time at all!





# What the LAX 400 multi-line laser can do:

- A 360° horizontal line for marking, alignment and leveling around the entire room.
- **MANUAL ALIGNMENT:** Two vertical lines form a 90° angle. The lines are finely adjusted using the knob on the housing. The laser lines can be pivoted to a target position without losing the position of the plumb-line dot. Ideal for accurately positioning partition walls with U-profiles.
- Vertical beam directed downwards – clearly visible through the adjustable feet. Above, the two vertical lines intersect precisely over the plumb-line dot.
- Ready for use straight away – quick self-leveling function thanks to pendulum technology designed to meet the requirements of construction sites.
- Ideal for working directly on the laser lines. For transferring the layout from the floor to the ceiling. For quick and accurate plumb bobbing.
- Long battery life – possible through turning the laser lines off and on separately.
- Very bright, narrow and clean laser lines. Measuring distance of visible line = 60 ft (20 m).
- Versatile use: 1. Use directly on the floor – or against U-profiles. 2. Attached to a tripod (5/8" thread). 3. Fastened to metallic objects with rare-earth magnets and v-groove or attached to the wall bracket. 4. Secured through two metal eyes using a strap.
- Protection class IP 54 (protection against dust deposits on the inside. Protection against splash water from all directions).
- Designed for use on construction sites:
  1. Stable aluminium housing cover to protect the horizontal laser optics.
  2. Park position to protect the vertical laser optics against dust and scratches thanks to rotation in the U-shaped handle.
  3. Pendulum locking mechanism protects the laser during transport.
  4. Shock-absorbent STABILA soft grip casing.
- Thanks to the pulsed laser lines and in conjunction with the optional REC 210 Line receiver, the LAX 400 can also be used over long distances – both indoors and outdoors.



1) 360° horizontal line, 2) vertical lines at a 90° angle, plumb-line function.



**MANUAL ALIGNMENT**

Fine adjustment using a knob to pivot the right angle

Rare-earth magnets with V-groove

Lock for height-adjustable column

Aluminium housing to protect the optical equipment

360° horizontal line

Multifunctional housing: protection, height adjustment and flexible fastening options

2 vertical lines at a 90° angle

The laser can be pivoted 360° inside the housing

1) On/Off  
2) Separate switch for each laser line

Height-adjustable column

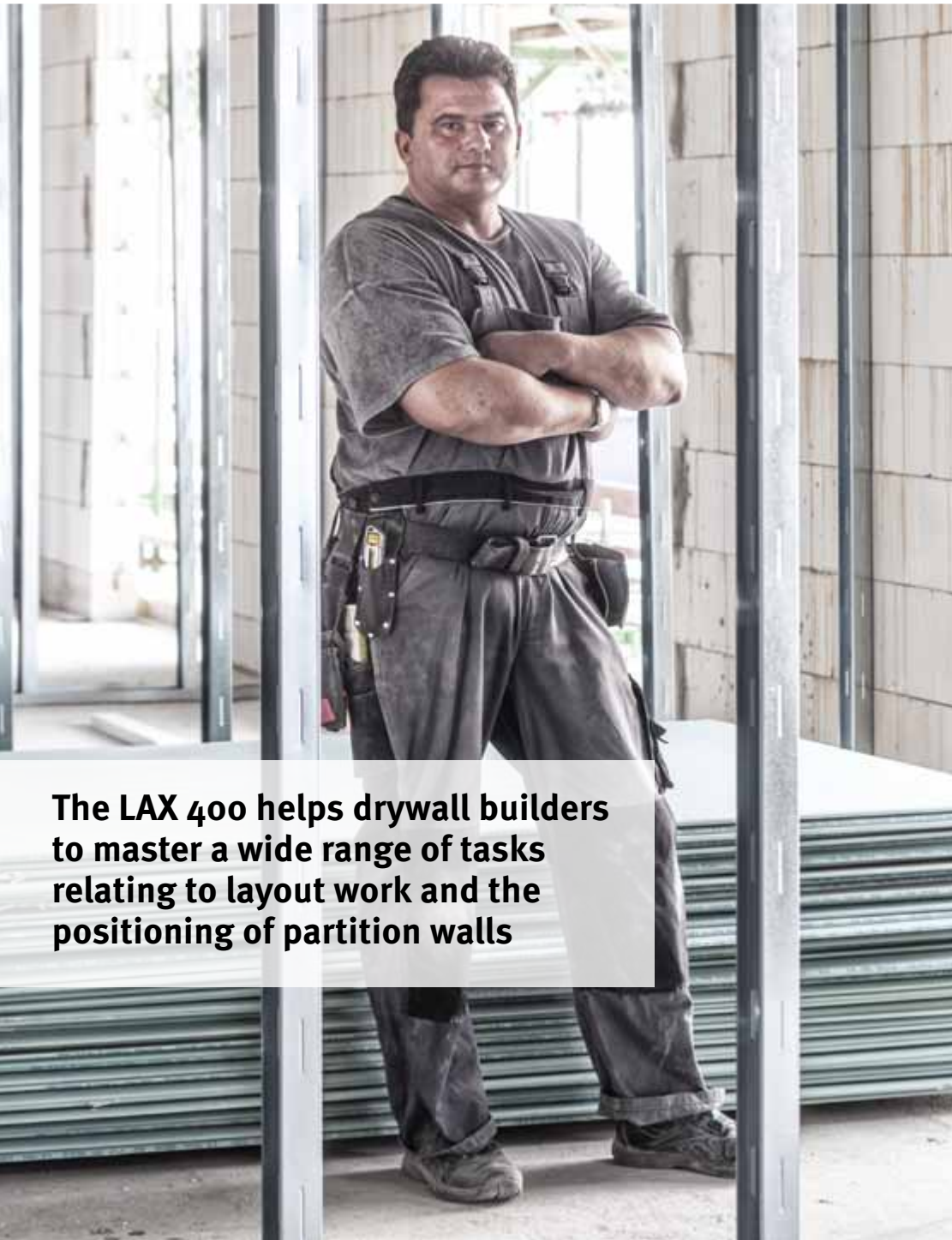
Two adjustable feet enables the laser to be positioned on elements such as U-profiles

Tripod connection thread 5/8"

Plumb-line dot



1) Park position. 2) Housing can pivot 360° inside the U-shaped housing. 3) The height of the laser can be adjusted thanks to the extendable column. The two adjustable feet enables the laser to be positioned on elements such as U-profiles.



**The LAX 400 helps drywall builders to master a wide range of tasks relating to layout work and the positioning of partition walls**



▲ U-profiles can be placed directly on the visible laser line and secured in a single operation. The two adjustable feet enables the laser to be positioned on elements such as U-profiles.

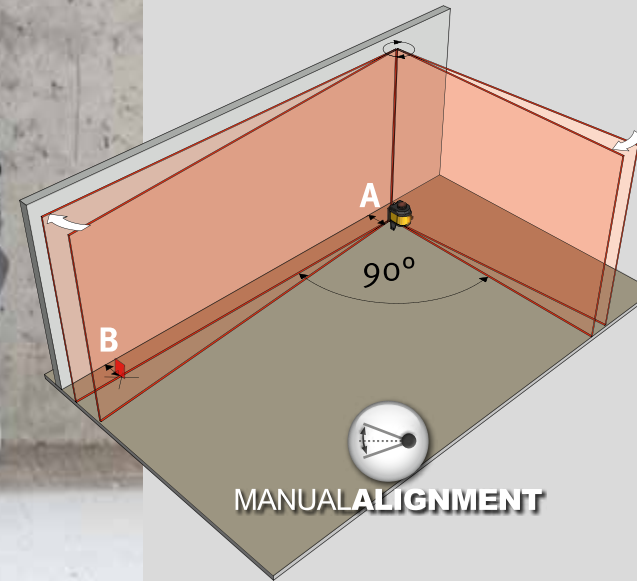
◀ The LAX 400 is attached to the profile rail using the wall bracket. Ideal for suspended ceilings. The 360° horizontal line covers the entire room.



## MANUAL ALIGNMENT for accurate pivoting of the right angle



The two vertical laser lines of the LAX 400 allow right-angled rooms to be created.



1. Measure the marking points A and B parallel to the wall.
2. Position the laser on marking point A and the target plate on marking point B.
3. Roughly align the laser.
4. Use the knob on the housing to manually pivot the laser to the marking, creating the right angle.



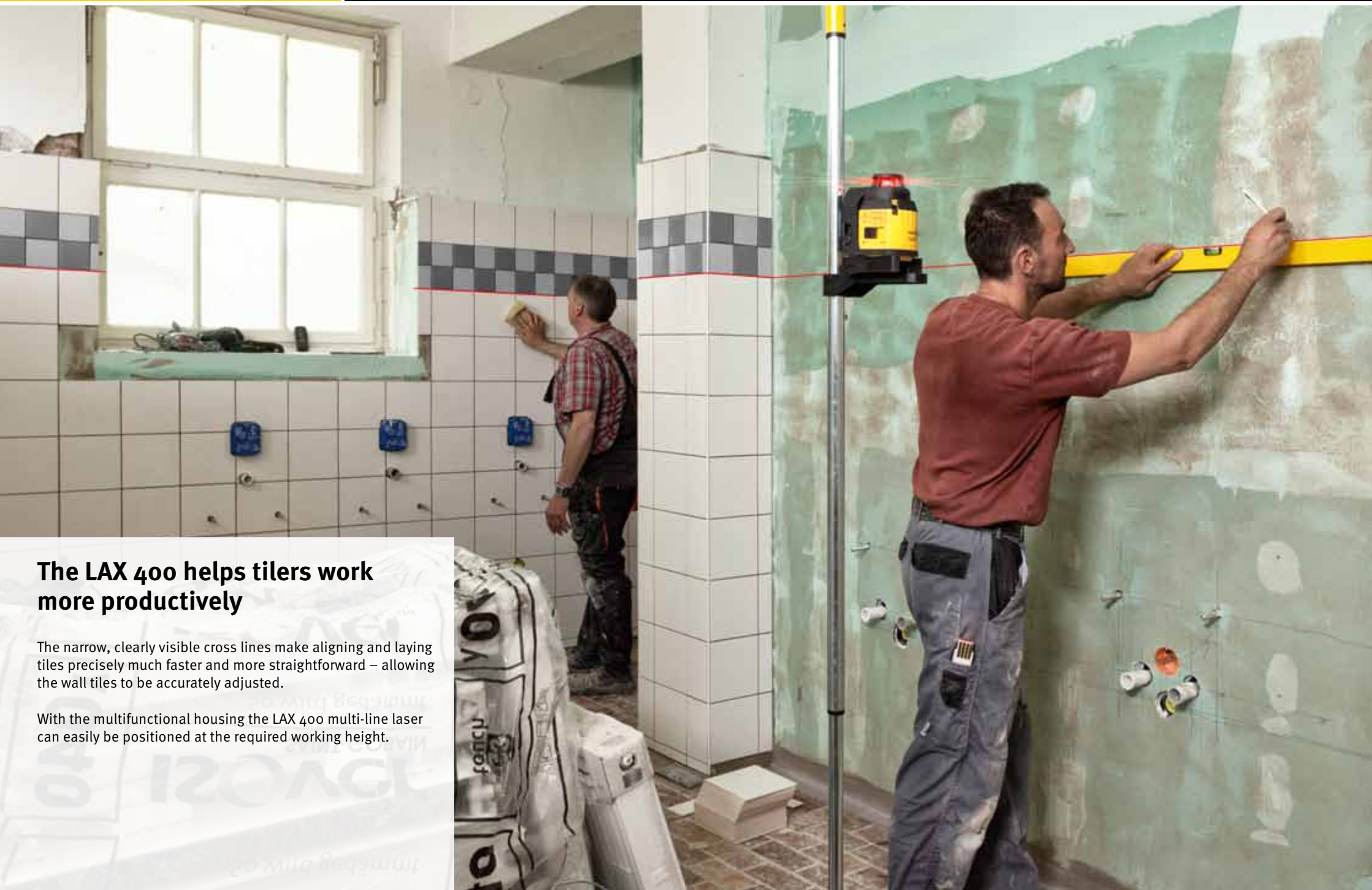
LAX 400 multi-line laser: use the knob on the housing to manually pivot the laser to the marking or U-profile, creating the right angle.

## Extend the working area using the optional REC 210 Line receiver (Cat. # 07330)



Do you need to carry out leveling work over longer distances or in bright indoor/outdoor conditions? The LAX 400 multi-line laser combined with the REC 210 Line receiver allows you to do this.





## The LAX 400 helps tilers work more productively

The narrow, clearly visible cross lines make aligning and laying tiles precisely much faster and more straightforward – allowing the wall tiles to be accurately adjusted.

With the multifunctional housing the LAX 400 multi-line laser can easily be positioned at the required working height.



### The LAX 400 helps electricians transfer heights quickly and without any hassle

The LAX 400 enables sockets, switches and cable ducts to be aligned horizontally and vertically with one another. The self-leveling function means that narrow, clearly visible laser lines can be worked on in just a few seconds.





## The LAX 400 helps plumbers accurately transfer marking points



The cross lines allow pipe clips to be aligned horizontally and vertically with one another.

Heating pipes can easily be positioned by transferring marking points from the wall to under the ceiling.

## The LAX 400 helps carpenters to transfer heights reliably



The long and clearly visible laser lines enable you to precisely align and assemble furniture and cabinets. Wall units can be positioned parallel to floor units. Horizontal drill holes can be accurately transferred thanks to the narrow laser line.

The LAX 400 will ensure you don't receive any complaints which means that you avoid expensive reworking. This accuracy pays off immediately and on a permanent basis.







## LAX 400 multi-line laser

**Includes:** LAX 400 multi-line laser, target plate, laser goggles, wall bracket, 4 x AA batteries, hard protective case.

Laser class	Output	Laser wavelength	Self-leveling range	Leveling accuracy	Line straightness	90° angle precision
2	< 1 mW	635 nm	approx. ± 4.0°	± 3/16" @ 50 ft (± 0.3 mm/m)	± 1/16" @ 50 ft (± 0.2 mm/m)	± 3/16" @ 50 ft (± 0.3 mm/m)

Laser beam accuracy	Measuring distance of visible line	Battery life	Batteries included	Protection class	Cat. #	UPC
± 3/16" @ 50 ft (± 0.3 mm/m)	60 ft* (20 m)	10 hours	4 x AA 1.5 V	IP 54	03360	089634033608

\* Indoors under typical operating conditions.

### Optional accessories:



Construction tripod with air-cushioned lifting column, spread stopper and rapid locking mechanism. Tripod legs with spikes and rotatable hard rubber shoes, 1/4" threaded screw.

**BST-K-M – ideal for transferring the datum line**  
Height: approx. 27" – 66" (Cat. # 08560).



**REC 210 Line receiver – for working over long distances (indoors / outdoors)**  
Water and dust protected in accordance with IP 67. Display on front and rear (Cat. # 07330).



See all products on  
[www.stabila.com](http://www.stabila.com)



[www.youtube.com/Stabilaproducts](http://www.youtube.com/Stabilaproducts)

### CAUTION

**LASER RADIATION  
DO NOT STARE  
INTO BEAM**



620 – 690 nm / < 1 mW  
**CLASS II LASER PRODUCT**  
21CFR 1040.10 AND 1040.11

Our technical hotline will support you on all questions relating to product selection and use.  
Phone 800-869-7460.  
You can of course also email us at [info@stabila.com](mailto:info@stabila.com).

**STABILA, INC** 332 Industrial Drive, South Elgin, IL 60177  
Tel: 800-869-7460, Fax: 847-488-0051, e-mail: [custservice@stabila.com](mailto:custservice@stabila.com)