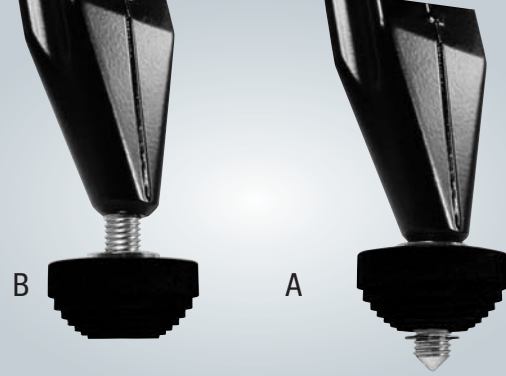


Nedo heavy-duty and extra heavy-duty elevating tripods are equipped with combi tripod feet for all-terrain use.

For work on uneven outdoor terrain activate the steel points by screwing in the rubber balls (fig. A). Hide the steel points with the rubber balls when working on smooth or sensitive floors (fig. B).

Also available to upgrade all Nedo tripods with replaceable steel points.

Ref.-No. 660 121



Elevating Tripods



Extra Heavy-Duty Elevating Tripod for Lasers and Laser Scanners Ref.-No. 210 683-185

- Min. effective height approx. 33" / 0.90 m
- Max. effective height approx. 119" / 3.10 m
- Retracted length approx. 52" / 1.30 m
- Weight approx. 19 lbs. / 8.6 kg
- Holding screw: 5/8" x 11 thread
- Tripod plate, Ø 4.3" / 110 mm
- Telescopic section 2-fold
- Adjustable column range 23" / 23"
575 / 590 mm

Features:

- Indirect gear unit, reinforced for easy handling and less wear and tear
- Double telescope for a wide working range
- Additional leg struts for extra stability
- Inch and mm scale on elevating column
- Circular bubble
- Strong aluminum extension legs, silver anodized
- Tripod head and plate made of aluminum, powder-coated
- Break-proof quick release levers, made of aluminum
- Brass hinge pins for extra stability
- Combi tripod feet for all terrain use

Suitable for:

- Rotating lasers
- Heavy rotating lasers
- 3D Laser Scanners



Giant Elevating Tripod for Lasers and Laser Scanners Ref.-No. 210 443-185

- Min. effective height approx. 70" / 1.77 m
- Max. effective height approx. 157" / 4.00 m
- Retracted length approx. 74" / 1.87 m
- Weight approx. 25 lbs. / 11.50 kg
- Holding screw: 5/8" x 11 thread
- Tripod plate, Ø 4.3" / 110 mm
- Telescopic section 2-fold
- Adjustable column range 23" / 23"
600 / 590 mm

Features:

- Indirect gear unit, reinforced for easy handling and less wear and tear
- Double telescope for a wide working range
- Additional leg struts for extra stability
- Inch and mm scale on elevating column
- Circular bubble
- Strong aluminum extension legs, silver anodized
- Tripod head and plate made of aluminum, powder-coated
- Break-proof quick release levers, made of aluminum
- Additional screw clamps
- Brass hinge pins for extra stability
- Tripod feet made of aluminum w/ replaceable steel points

Suitable for:

- Rotating lasers
- Heavy rotating lasers
- 3D Laser Scanners