

LD-8 RECEIVER

OPERATING MANUAL

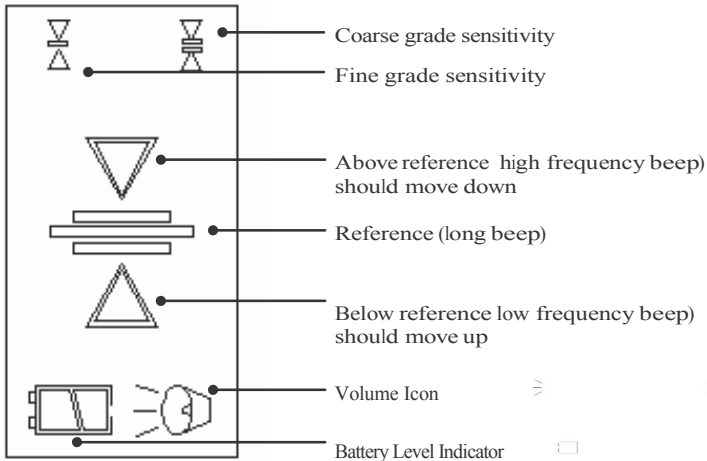


Item #790-01

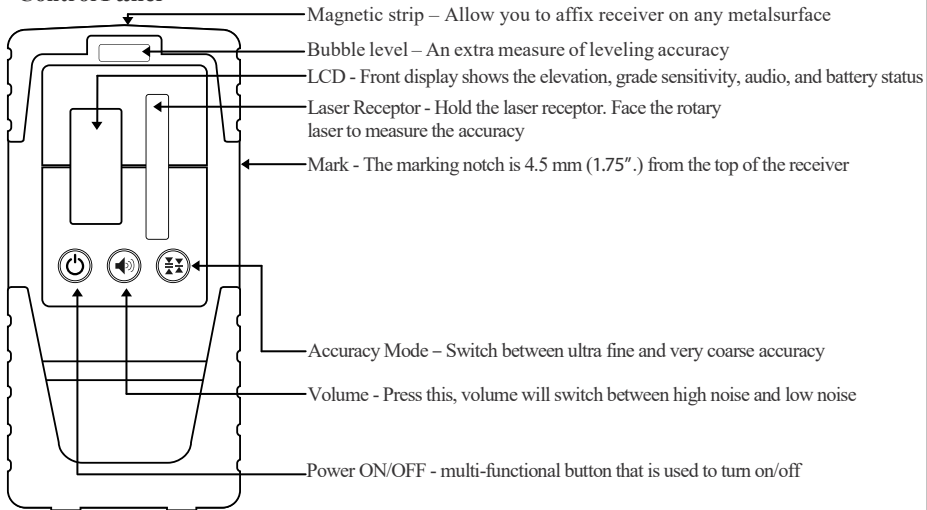
Specifications

Weight	7.1 oz
Dimensions	2.75" x 5.5" x 1"
Housing	Plastic rubber with trimming
Accuracy	Fine: ± 1 mm; Coarse: ± 2.5 mm
Power Source	(1) 9V battery
Battery Life	40 hours (approx)
Low Battery Indicator	Yes
Operating Temperature	14°F-122°F (-10°C~50°)
Volume Settings	Loud & low
Display	Liquid crystal
Automatic Shut-Off	Approx 10 minutes
Warranty	Limited lifetime
Included	Laser detector, clamp, (1) 9V battery

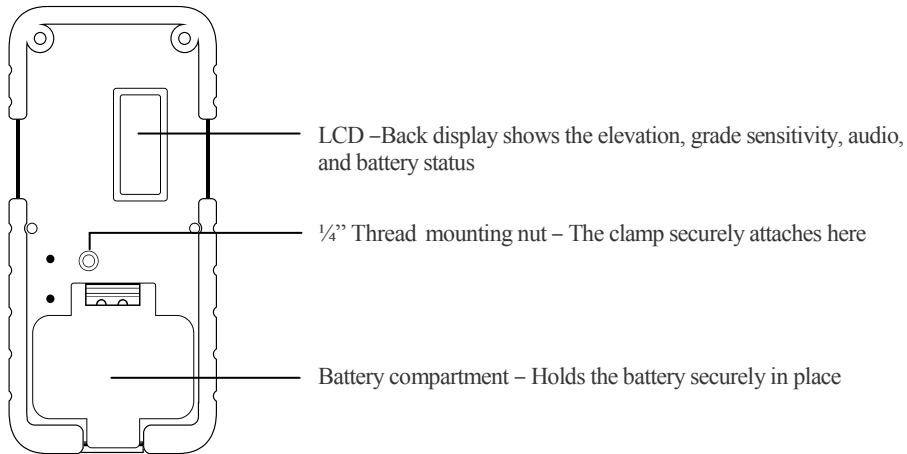
LCD Display

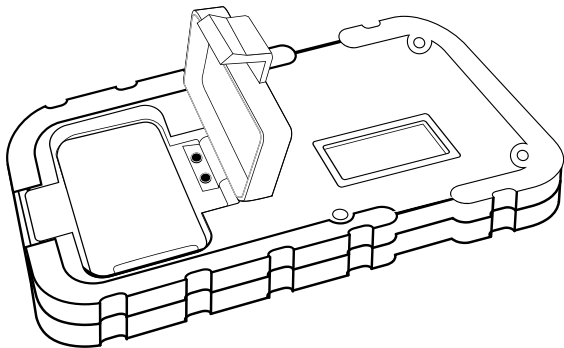


Control Panel



Back Panel



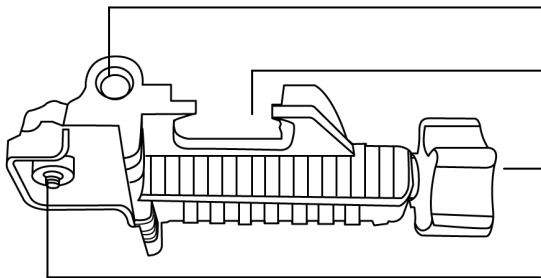


1. Open the battery door using a coin or your thumbnail.
2. Install/Remove the 9V battery noting the positive (+) and negative (-) diagram inside the housing.
3. Push down on the battery door until it "clicks" into position.

General Purpose Clamp

The general purpose clamp allows the receiver to be attached to a grade rod or wooden pole.

Features and Functions



Bubble level – An extra measure of leveling accuracy

Clamp – Ridged edges give extra friction to secure the clamp to a grade rod or pole

Width adjuster – Non-expanding bolt adjustment system that adjust with a screwing motion

Mounting thread – $\frac{1}{4}$ " thread screw to secure receiver to the clamp



Irvington NJ 07111 | cs@adirpro.com | www.adirpro.com