

Laser DIMENSION MASTER® 130

LASER DISTANCE MEASURE

Model 3356

Large full color display

Measure up to 130 Feet

Measure distances,
areas and volumes

Measure from front or
back of device

Measure in Feet-Inch-
Fractions, Decimal
Feet, Inches or Meters

Memory function stores
your 10 most recent
measurements



SAFETY

Do not aim light at people or animals. Do not stare into the laser light source.

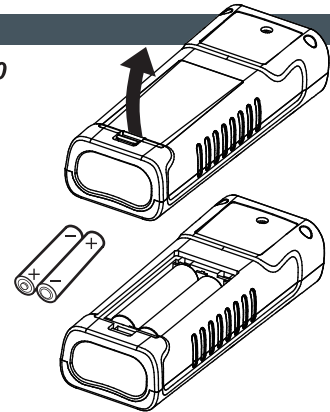
Laser light can damage your eyes.

- Read the instructions carefully before using the device.
- Laser radiation is emitted from this product. Use of controls and adjustment procedures other than those herein specified may result in laser radiation exposure.
- This device contains semiconductor laser diodes with wavelengths of 650 nanometers.
- The total continuous output of the beam never exceeds 1.0 milli-watts.
- This device complies with EMC Test according to EN61000-6-3: 2001 + A11:2004, EN 61000-6-1:2001, EN 61000-4-2, EN 61000-4-3, EN 60825, FCC Test according to PART 15.



BATTERIES

- The **Laser Dimension Master 130** is powered by two 1.5v AAA alkaline batteries (included).
- To install batteries, remove battery compartment cover on back of device. Install batteries observing the polarity. Replace cover.
- The battery status icon on the display shows remaining power.



4840 Hyltech Drive, Carson City, NV 89706 U.S.A. • 1-800-854-8075
E-mail: info@calculated.com • www.calculated.com



Printed in China. • 09/14
UG3356E-A

CALCULATED INDUSTRIES

Your **Laser Dimension Master 130** is covered by a Limited Two-Year Warranty. To view the Warranty and to register this product, go to www.calculated.com/register.

WARRANTY AND REGISTRATION

Code	Cause	Solution
101	Low power	Replace batteries
104	Calculation error	Repeat measurement
152	Device temperature is too high	Cool down device
153	Device temperature is too low	Warm up device
154	Out of range	Move to within device range 8 inches to 130 feet (0.2 to 40 meters)
155	Signal reception error	Change target surface (e.g., white paper)
157	The existing light is too bright	Darken target within device range
160	Device is moving too much	Stabilize device

USER'S GUIDE

LASER DISTANCE MEASURE Model 3356

Laser DIMENSION MASTER® 130

MEASURING CONDITIONS

The quality of the measurement depends on the surfaces to which you are measuring.

- Strongly reflecting targets deflect the laser beam and cause measuring errors.
- Non-reflecting, dark surfaces increase the measuring time.
- Always begin by making a control measurement.

USING THE LASER DIMENSION MASTER 130

Buttons

1 Power On/Measure

Switch the device ON by pressing **1** once. Press **1** again, and the laser will turn on. To save battery power, the laser beam shuts off automatically after 30 seconds of non-use. The device turns off after 3 minutes of non-use.

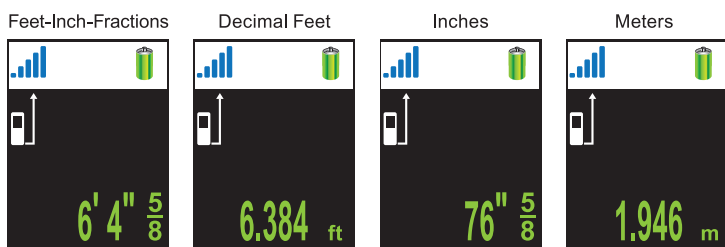
2 Area/Volume Modes, Recall Measurements

Press **2** once and the Area icon displays. Press **2** twice and the Volume icon displays. Press and hold and the Stored Measurements icon displays.

3 Measurement Reference Point, Units

Press **3** briefly to change the laser to measure from the front or the back of the device. The default setting is from the back of the device.

Press and hold **3** to change the Units setting. The available Units are:



4 Clear Display, Power Off

Press briefly to clear displayed measurements. Press again to clear the Area or Volume icon. Switch the device OFF by pressing **4** and holding for 2 seconds.

ICONS AND OUTPUTS

Icons

- Strength of Signal Indicator
- Area Measurement Mode
- Volume Measurement Mode
- Stored Measurements
- Hardware Error
- Battery Status

Main Display

Laser On Icon –

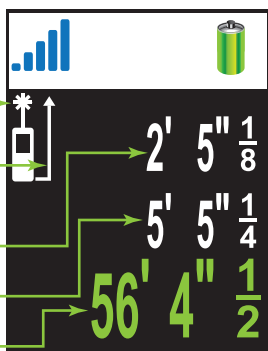
flashes when active

Measurement Reference Point

First Measurement

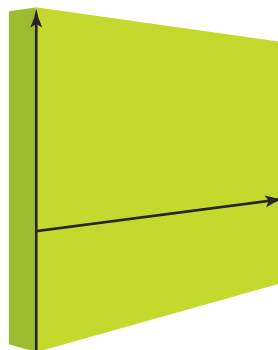
Second Measurement or Calculation

Current Measurement or Calculation

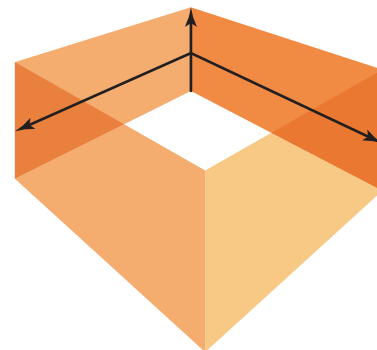


Memory

The **Laser Dimension Master 130** stores the last 10 measurements. Hold down button **2** to recall measurements. The Stored Measurement icon will display with the number of measurements stored. Continued presses of **2** will display the measurements in descending order from the oldest (1) to the most recent measurement (10).



Linear and Area



Volume

MEASURING

- With device powered on, press **1** to turn on laser. Active laser icon flashes.
- **Length** – Press and release **1** to measure and display distance. Measurement is displayed and recorded when device beeps.
- **Area** – Press **2** briefly to display square Area icon. Press **1** to turn on laser, press **1** again to measure Length. After measurement displays, press **1** twice to turn on laser and measure Width.
- **Volume** – Press **2** until cube Volume icon displays. Press **1** to turn on laser, press **1** again to measure Length. Then measure Height and Width to calculate cubic volume.

SPECIFICATIONS

Measuring Range	8 Inches to 130 Feet (0.2 to 40 meters)
Measuring Accuracy	+/- 1/8" (3.2 mm) over entire range
Measuring Units	Feet-Inch-Fractions, Decimal Feet, Inch-Fraction, Meters
Laser Type	Class II, 620-690nm, <1mW
Automatic Shut-Off	Approximately 3 minutes
Memory Storage	Last 10 measurements can be recalled
Area/Volume Calculations	Yes
Multi-Line Display	Yes
Beep Indicator	Yes
Dimensions	4.3" x 1.7" x .95" (110 x 43 x 24 mm)
Weight	Approximately 2.5 oz. (69 grams)
Batteries	2 AAA – 1.5v (included)
Battery Life	3,000 + measurements
Operation Temperature	32°F to +104°F (0°C to +40°C)
Storage Temperature	-4°F to +149°F (-20°C to +65°C)